

Stub for version E... at 08 May 15 still mostly Vers D

RE-PUBLISH AT WEBSITE... this should be close to "final".

- MntHole1
- MntHole2
- PadMisc1
- PadMisc2
- PadMisc3
- PadMisc4
- PadMisc5
- PadMisc6
- PadMisc7
- PadMisc8

These for pilot holes for mounting holes

These 6 for pads between 5W sockets, in case single strip of 23 skts used.

Input UL

Input LL

Output UL

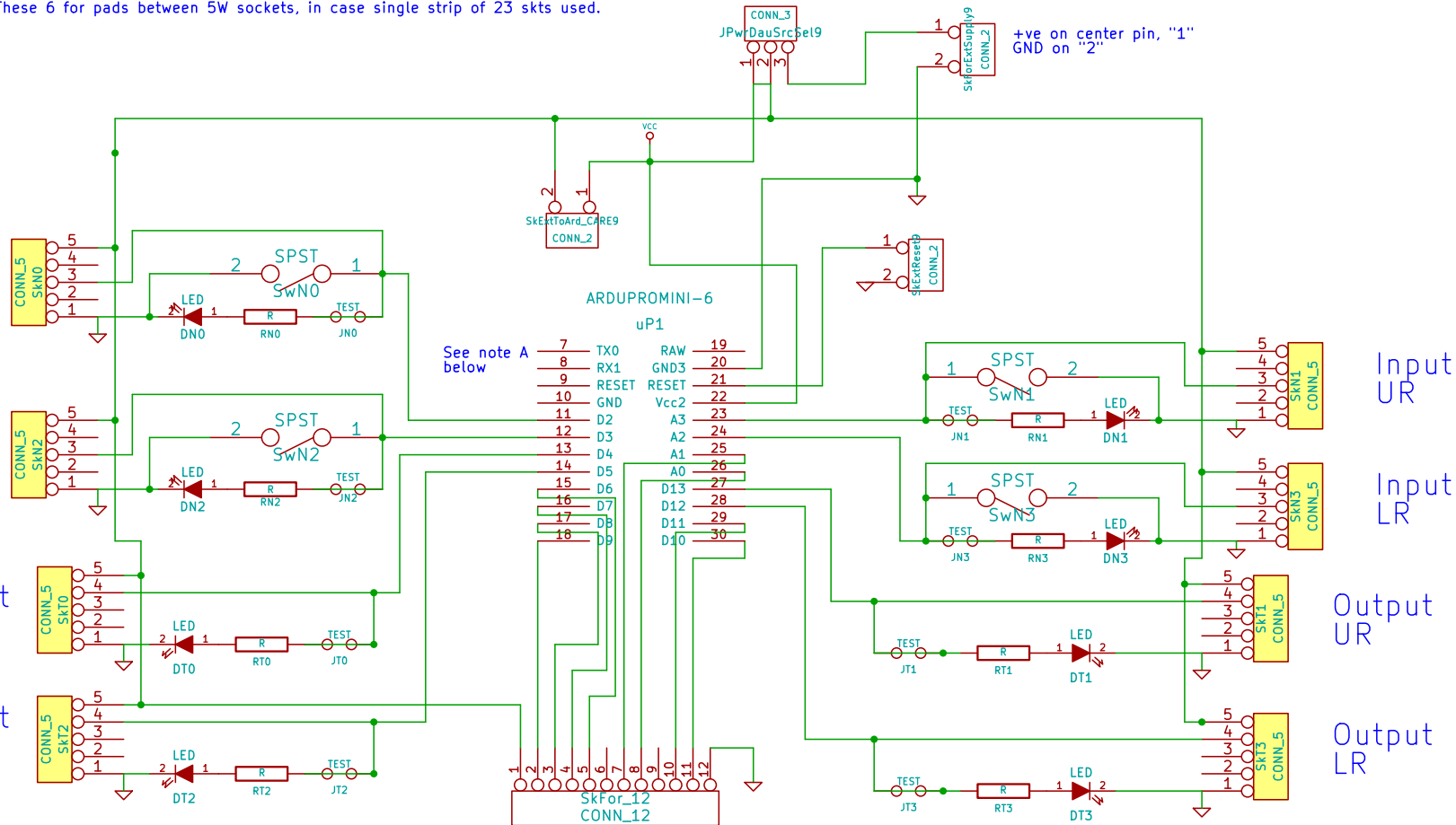
Output LL

Input UR

Input LR

Output UR

Output LR



See note A below

D13 used for an output because of the LED frequently provided on Arduino module.

NOTE A: Inputs D0 and D1 (TX0 and RX1) not used to avoid problems with conflicts during programming, and to leave them free for use for serial monitor.

Use pin 3 of DauBrdSkt for output from Ardu, pin 4 for input to Ardu.

Put version info in component REFERENCE. Close, reopen cvPCB. Reassign to NoPin. Delete old from PCB. Read Netlist and .cmp into PCB.

VERBYREF

Vers_E_9_Mar_15

File: PCB261.sch		
Sheet: /		
Title: PCB261, NoviceGuard- See VerByRef component, top of schematic, for version info		
Size: A4	Date: 8 may 2015	Rev: SeeVerByRef
KiCad E.D.A.		Id: 1/1